

**CAD+T**

[www.cadt-solutions.com](http://www.cadt-solutions.com)



# Software for Interior Design and Production

---

## Solutions Overview

# PREPARING FOR THE FUTURE TOGETHER

---

**„WE SUPPLY DIGITAL SOLUTIONS AND EFFICIENT PROCESSES TO ENABLE CUSTOMERS, TO BE THE TOP OF THEIR INDUSTRIES.“**



We work every day on the further development of our software.

## **CAD+T HEADQUARTER**

CAD+T Solutions GmbH  
Gewerbepark 16, 4052 Ansfelden, Austria  
+43 7229 83100 0

## **CAD+T WORLDWIDE**

### **GERMANY**

Vattmannstraße 1, 33100 Paderborn  
+49 5251 150 240

### **ITALY**

Nordring 25,  
39031 Bruneck  
+39 339 31 01 902

### **SOUTH AFRICA**

8 Waterford Mews, Century Boulevard,  
Century City, 7441 Cape Town  
+27 64 604 91 02

### **SWITZERLAND**

Dorfmat 2a, 6343 Rotkreuz  
+41 41 790 90 70

### **UNITED ARAB EMIRATES**

Indigo Icon Office 507,  
Jumeirah Lakes Towers, Dubai  
+971 4 44 77 88 0

### **INDIA**

A2 – 3rd Floor, SPAN Ventures SEZ  
Rathinam Techzone Campus  
Pollachi Road, Eachanari  
Coimbatore – Tamil Nadu  
641 021 India  
+91 422 492 1000

### **AUSTRALIA**

Level 5, 23-25 O'Connell Street,  
NSW, 2000 Sydney  
+61 2 800 620 67

# THE PRODUCT RANGE

---



## DESIGN

Quick and easy 3D-designs including walls, doors, windows and cabinet configurator.



## VISUALIZE

Create high-end renderings, 360° panoramas, videos and VR. Live-sync to design module available.



## CONFIGURATOR

Ideal solution that simplifies the generation of data to takeover directly into either engineer classic or professional.



## ENGINEER

3D CAD design software for individual designs. Automatically place hardware, create parts lists, hardware lists and more directly out of the drawing.



## CNC

Data transfer in consideration of material and manufacturing methods. Export CNC programs with our solutions, for nesting and up to 5-axis.



## WEB SOLUTIONS

Full solutions from cloud based data management and licensing services to customizable online shops and e-commerce applications.



## ERP

Plan, control and manage resources such as employees, materials and more. Optimize and organize your workflows.



## AUTODESK®

Complete your ideas with various Autodesk® products, such as AutoCAD®, Inventor®, Vault® or Revit® for architecture using and BIM data.



## CONSULTING

Our team guides and supports you in developing strategic goals, optimizing workflows, receiving subsidies and more.



## HARDWARE

In addition to our software portfolio, we supply you with suitable hardware from HP® and complete RFID solutions for your production.

# YOUR ONE STOP SHOP: A FULLY INTEGRATED SOLUTION FOR YOUR CUSTOM-MADE DESIGNS



## PLANNING

### PLANNING

Fast and flexible planning of all your interior requirements with perfect renderings for presentations.

## ESTIMATION

### ESTIMATION

Fast adjustable calculation with different calculation schemes.



©IMA Schelling Group

## PROCUREMENT & STOCK

### PROCUREMENT & STOCK

With a clear structure in the order, all materials are correctly placed for each project. This helps to automate and speed up procurement processes. Errors are minimized and your cashflow is increased.

## OPERATIONS CONTROL

### OPERATIONS CONTROL

Capacity and resource planning of material, people and machinery. Feedback in real time via RFID, mobile App and QR/Barcode





## CONSTRUCTION

### CONSTRUCTION

Flexible and efficient production set up and scheduling with easy handling.

## CAM / CNC PRODUCTION DATA

### CAM / CNC PRODUCTION DATA

Production data and CNC programs are created automatically which reduces the error ratio massively.



## PERFECT RESULT

### PERFECT RESULT

The project has been successfully realized exactly as you and your customer imagined it.

# THE OPTIMIZED WORKFLOW WITH CAD+T

---



## OPTIMIZED PROCESS

By using the full software solution of CAD+T you have all your data in one single system which speeds up the correct data transfer between different departments. This enables you to save time and use your resources more efficiently.

With the implementation of CAD+T products you will optimize your output and increase your quality while using the same or less resources.

The modular structure of our software modules can accommodate a full end-to-end solution or a step by step implementation customised to your (companies) needs. When using our

**I DON'T UNDERSTAND,  
WHY MANY OTHERS HAVEN'T  
ALREADY MADE THE SWITCH  
TO CAD+T SOLUTIONS.**

- Nick Hudson  
CEO at Nick Hudson Fine Furniture (UK)

modules together you will achieve a full optimized workflow process.

On the next pages you will find further details of our products. We are also more than happy to assist you personally and to find the right solution together with you.

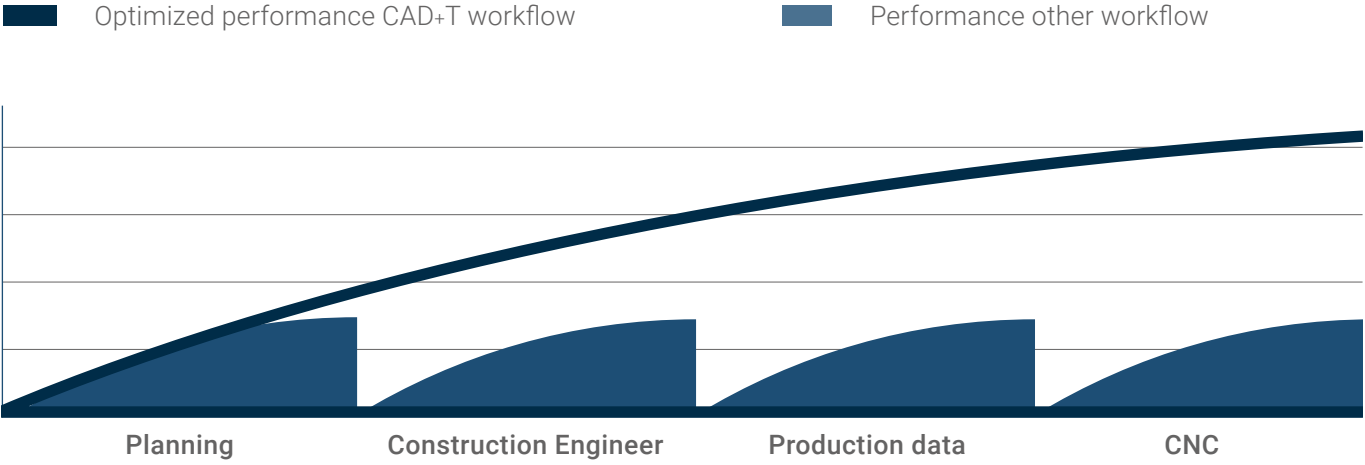


**I ADVISE EVERYBODY TO USE CAD+T. DUE TO THEIR SOFTWARE YOU WILL START TO QUESTION YOUR COMPANY PROCESSES WHICH GIVES YOU THE CHANCE TO MAKE THEM MORE EFFICIENT AND THIS WILL HELP YOU THROUGH FUTURE DIFFICULTIES TO STAY AHEAD OF THE GAME.**

- Thomas Auer  
from Norer Tischlerei GmbH (AT)



## OPTIMIZED PERFORMANCE OF THE CAD+T WORKFLOW





## ARE YOU INTO BESPOKE FURNITURE AND CUSTOMIZED DESIGNS? WE ARE TOO! GET YOUR DESIGNS IN 2D AND 3D.



### DESIGN CLASSIC

The CAD+T Design Classic module with a cabinet configurator allows you, to create even walls, windows and doors and make your designs more dynamic. Benefit from the automated layout generator and the ability to make changes quickly. Once you have started to design, you will benefit from the interconnectivity of all our software modules. So will the design be ready for visualisation as well as construction and shop floor drawings. The Design Classic module is based on AutoCAD®.



### DESIGN PROFESSIONAL

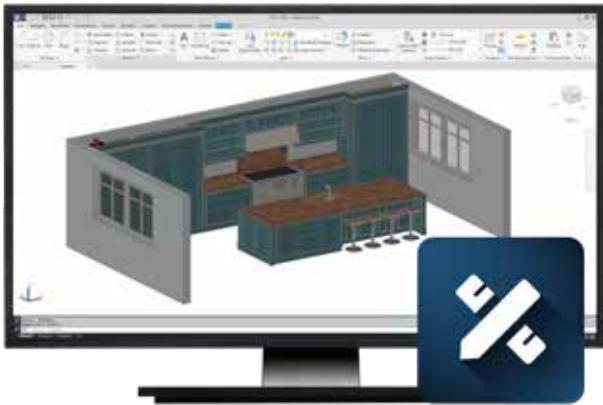
The CAD+T Design Professional Planning Module, based on SketchUp, opens up a world of limitless design possibilities for you. Create captivating 3D models in no time—easy, intuitive, and extremely user-friendly. Generate complex models with just a few clicks and impress your clients with high end renderings, thanks to direct interface to CAD+T Visualize. With seamless cloud compatibility through CAD+T EOS, you have access to your projects anytime, anywhere. Maximize flexibility and efficiency with numerous import and export formats, such as DWG, DXF, STL, or even the BIM format IFC.



### DESIGN CLOUD

This cloud based application allows you to design and visualize from single parts to complete rooms. The articles you are working with, have their own rules and logic for configuration and placement. These can be taken directly from the CAD+T Configurator Professional. Benefit from an optimized user interface, high quality designs and the ability to work independently from any location 24/7.





**+ Add on:** IFC data import and export

## YOUR BENEFIT DESIGN CLASSIC

- + Quick and easy 3D-designs
- + Design even advanced projects
- + Create quotes quickly
- + Interconnectivity to other CAD+T modules
- + 2D and 3D view
- + Suitable for all design areas (joiner, shopfitter etc.)
- + Connection to CAD+T EOS



## YOUR BENEFIT DESIGN PROF.

- + User-friendliness meets performance
- + Direct interface with CAD+T EOS and Visualize
- + Unlimited design freedom, lightning-fast modeling
- + Extensive decoration library via 3D-Warehouse
- + Customized tools for every need
- + Cloud compatibility – access anytime, anywhere
- + Numerous import and export formats  
(e.g. DWG, DXF, STL, IFC)



## YOUR BENEFIT DESIGN CLOUD

- + Cloud based application
- + Work independently from any location 24/7
- + Direct takeover of data from different  
CAD-engines
- + Access control for different users
- + Reduction of time and cost
- + Able to integrate into company workflow
- + No installation necessary

# VISUALIZE

---



**PUSH THE BOUNDARIES OF WHAT'S POSSIBLE.  
BECAUSE VISUALIZING HAS NEVER BEEN THIS EASY!**



## **VISUALIZE CLASSIC**

The CAD+T Visualize Classic rendering module is the ideal entry into the world of photorealistic visualization. This allows you to achieve a professional presentation with high end renderings for your clients. With the live-sync function to CAD+T, drawings can be quickly imported and decorated with numerous effects and objects such as people, animals, plants and much more. Changes will be applied automatically.



## **VISUALIZE PROFESSIONAL**

The CAD+T Visualize Professional module includes all functionalities of the Visualize Classic module and enables additional effects such as the aging of materials, water and glass combinations, sunlight reflections, grass and more. Furthermore, the Professional module supports VR data export.





## YOUR BENEFIT VISUALIZE CLASSIC

- + Format import TGA, DDS, PSD, BMP, JPG, PNG
- + 360° Panorama renderings
- + Import animated objects like people and more...
- + Custom material data base
- + Image export up to 8K
- + Video export up to 4K
- + Different export formats



## YOUR BENEFIT VISUALIZE PROF.

- + Aging of objects (vintage-effect)
- + High resolution objects
- + Painting and glass effects
- + Water effects
- + Advanced material data base
- + Import of real world environments
- + Export for virtual reality (VR)



## USE OUR SPECIAL CAD+T TOOLS TO IMPROVE YOUR CONSTRUCTION PROCESS.



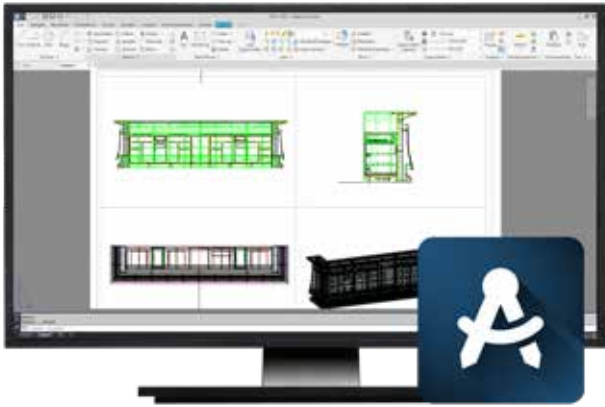
### ENGINEER CLASSIC

CAD+T Engineer Classic module is based on AutoCAD® including the same user interface to ensure fast learn-ability. Sections and details are automatically created as well as different views which increases the work speed especially for individual construction. The automatic hardware placement supports the user especially with bespoke engineered furniture. Import and adjust any items easily from our CAD+T Design Classic module or start from scratch with a 2D drawing and get the 3D data automatically.



### ENGINEER PROFESSIONAL

This is a 3D parametric construction module based on Inventor® which similar, to CAD+T Engineer Classic, gives you automatically your cutting list and CNC data. We have enhanced this module to also work for furniture engineering. Due to the 3D parametric you can easily change features without changing the basic construction. This add-on for Inventor® specifically includes special features like core material selection, edge function and surfaces for the furniture industry.



## YOUR BENEFIT ENGINEER CLASSIC

- + Based on AutoCAD®
- + Automatic creation of parts lists
- + Connection to CNC machinery
- + 4 different views
- + 2D views with sections, 3D isometric
- + Automatic hardware placement
- + Library of hardware manufacturer
- + Especially made for bespoke items

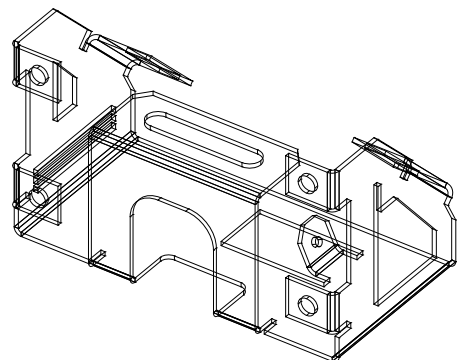


## YOUR BENEFIT ENGINEER PROF.

- + Based on Inventor® (3D parametric)
- + Automatic creation of parts lists
- + Connection to CNC machinery
- + Automatic drawing derivation
- + Perfect for large and complex projects
- + Explosion view and movement simulation
- + Reduction of parts through part connection
- + Controllable revisions

### + ADD-ON: METALBENDER

This can be added to CAD+T Construction Engineer Professional module where you can create sheet metal constructions which considers material thickness as well as different materials. It can also bend, flatten, create flaps and variable flang construction.





## OPTIMISE YOUR PRODUCTION WORKFLOW BY CREATING YOU CNC DATA AUTOMATICALLY.



### CAM INTERFACE

The CAD+T CAM interface is an intelligent connection to 3-5 axis CNC machinery for the individual production. We generate directly out of CAD+T Engineer Classic or Professional module CNC files which consider the geometry and material features of each part. The CAM system includes an intelligent work-on logic according to material, tools and production steps which increases the usage efficiency of the machine without the need of a specialized CAM operator.



### NESTING

Efficient nesting starts with the software and it ends at the finished part which leads to a faster and more efficient material handling in the workflow. Free shaped parts are placed by considering the tools and capabilities of the machine. We achieve through the perfect placement of small parts between the different sized parts an optimized material usage.



### 5-AXIS SIMULTANEOUSLY

Inventor® CAM is a 2,5 to 5 axis CAM system which allows 4 and 5 axis simultaneous work-on. The data is generated from CAD+T Engineer Professional, and through this high performance software, perfectly prepared for further production steps. You can check with the preview simulation for any potential collision. Additionally it will also calculate the time for more complex CNC programs. The Fusion 360 ultimate is the cloud based solution for this.



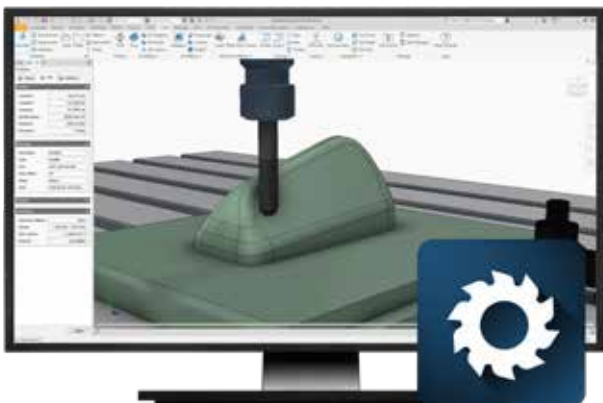
## YOUR BENEFIT CAM INTERFACE

- + High performance post-processor
- + Logic based on material and geometry
- + Also CAM silent mode available
- + Simultaneous output for different CNC machinery
- + Automatic file recognition with barcode
- + Definition of production steps
- + Automatic tool selection



## YOUR BENEFIT CNC NESTING

- + Intuitive user interface
- + Output to nesting machine possible
- + 64-bit engine
- + Nesting with grain direction
- + Combining and repeating orders
- + Optimized production steps for wood based material
- + Enhanced nesting for reduced material wastage



## YOUR BENEFIT 5-AXIS

- + Complex 3D milling and 5 axis program simultaneously possible
- + Analyze of volume bodies or flat surfaces
- + Automatic takeover of 3D volume bodies
- + Fast calculation and easy handling
- + Vector drilling and milling
- + Post-processor for several brands of machinery
- + Adaptive clearing for optimal surface quality



## **MANAGE YOUR DATA WITH EOS DOCS AND EXPAND YOUR SALES CHANNELS WITH AN ONLINE SHOP OR E-COMMERCE SOLUTION.**



### **EOS Docs**

CAD+T EOS Docs is the perfect tool to store your data safely in the cloud. Your files (drawings) are backed up and versioned. Thereby you have access to all versions of your data. In addition, you can manage your sales orders, material masters, license access and your CAD system settings can also be organized via CAD+T EOS Docs. This is the perfect tool if you want to share data and licences with your team or freelancers independent of their work location.



### **E-COMMERCE**

The e-commerce platform can be used as a sales tool for your own sales team as well as an online shop for your partners or directly for consumers. In combination with CAD+T EOS, you can easily manage your product data in one place and automatically display it in the shop, customized for each user group. Choose from a wide range of options and increase your online orders!

## **CUSTOMIZATION MEETS HIGH-END TECHNOLOGY! AUTOMATICALLY GENERATE DRAWINGS OUT OF THE CONFIGURATION.**



### **CONFIGURATOR PROFESSIONAL**

The CAD+T Configurator Professional is a cloud based application which is scalable and supports installation on-premise or in the cloud. The advanced software architecture enables usage under complex conditions, with huge amounts of data and for handling special adjustments.





## YOUR BENEFIT EOS DOCS

- + Cloud-based application
- + Secure data management
- + Save drawings centrally and versioned
- + Central material master
- + Easy management of CAD+T licenses
- + AWS cloud included
- + Automatic data backup



## YOUR BENEFIT E-COMMERCE

- + Using data from CAD+T EOS
- + User interface adaptable to your process
- + Dynamic 2D/3D product preview created instantly
- + Managing different access rights for different target groups
- + Integration option for existing ERP/CRM systems
- + Scalable
- + AWS cloud included



## YOUR BENEFIT CONFIGURATOR PROF.

- + Advanced software architecture
- + Exportable CAD/CAM data
- + Production data and price calculations
- + Connect data to AutoCAD®, Inventor®, SketchUp
- + Connection to all CRM- & ERP systems
- + Automatic generated drawings and layouts
- + Live 3D-preview



**WHETHER YOU ARE A SMALL, MEDIUM OR LARGE-SIZED COMPANY, WE HAVE THE RIGHT AND SUITABLE SOLUTION FOR YOUR BUSINESS!**



## **ERP CLASSIC**

ERP Classic from CAD+T is the ideal solution for technically organised small and medium sized companies. It is the right base to increase the value-added process from material to time logging. The simple operation allows you to implement and use your new ERP system quickly.



## **ERP PROFESSIONAL**

ERP Professional from CAD+T is the first choice for medium to large sized companies when you need to show your workflow the best possible way. Plan and organize your processes and procedures within the ERP Professional. The process starts from quotations and sales orders in the CRM, taking it further into procurement as well as production information. The feedback system allows you to be always up to date, even on complex projects.



## **ERP CLOUD**

Minimize your IT costs with cloud based software. The ERP Cloud module allows you to work independently from any location 24/7 and automatically back up your data. This kind of data management offers a live connection to the data of your suppliers including price updates and availability of items.



## YOUR BENEFIT ERP CLASSIC

- + Ideal for small and medium-sized companies
- + Takeover parts lists from CAD+T software
- + Automatically calculated BOM
- + Comparison of material and stock
- + Calculation based on time and material cost
- + Capacity planning and real time logging
- + Cost comparison



## YOUR BENEFIT ERP PROFESSIONAL

- + Ideal for medium and large-sized companies
- + Sophisticated stock and material management
- + Invoice control
- + Extensive operations control
- + Different calculation schemes
- + Included CRM functionalities
- + Microsoft® office interface



## YOUR BENEFIT ERP CLOUD

- + Cloud based application
- + Automatic backup
- + RFID integration
- + Integrated configurator
- + Extensive reports
- + Mobile time logging
- + 1D + 2D cutting optimisation



**FOR TECHNICALLY ORGANIZED SMALL AND MEDIUM-SIZED COMPANIES.  
CHOOSE FROM A VARIETY OF DIFFERENT MODULES!**

## TECHNICAL ORDER MANAGEMENT

- + Data takeover from CAD+T software
- + Automatic reports (parts list, BOM, cutting list and more...)

## COMMERCIAL ORDER MANAGEMENT

- + Calculation with different calculation schemes
- + Customer data management (offer, order, master data and more...)

## OPERATIONS CONTROL

- + Automatic calculation of production times
- + Time tracking and post calculation

## PURCHASE MANAGEMENT

- + Automatical proposals for material orders based on available stock data
- + By order, material or supplier

## STOCK MANAGEMENT

- + Handle stock and inventory
- + Different locations and areas

## CAPACITY PLANNING

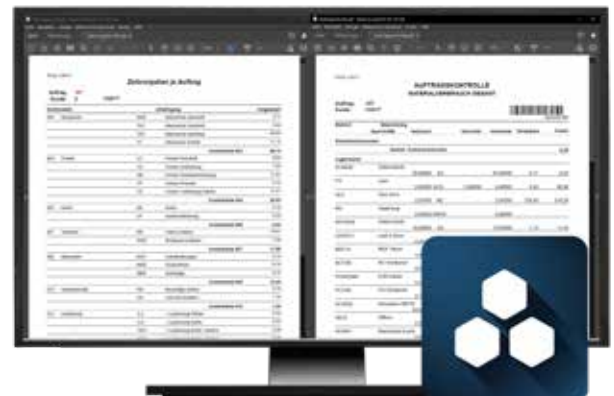
- + Planning based on machine and/or human resources
- + Management of appointments/meetings

## CUTTING OPTIMISATION

- + Data takeover of raw sizes from technical order management
- + Calculation of cutting plans and material consumption including wastage

## TIME LOGGING

- + Via barcode, QR code, touchscreen or app
- + Record of order, staff, activity and time





## SAVE COST WITH CLOUD BASED SOFTWARE.

### EOS TECHNICAL HIGHLIGHTS\*

Including all functions of EOS Docs +

Automatic parts list import from the CAD+T program

Management of production orders including revisions and versioning

Standard reports e.g. BOM, cutting list, hardware list, ...

1D + 2D cutting optimisation (bars and panels)

\* Only available as SaaS

### EOS PROFESSIONAL HIGHLIGHTS\*

Including all functions of EOS Technical +

Configurator with production know-how

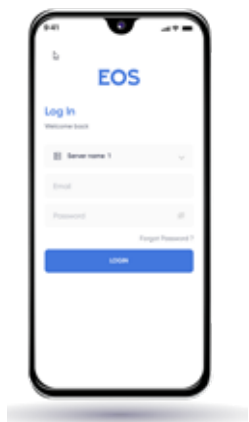
Price and cost calculations e.g. production cost, ...

Customizable reports e.g. BOM, cutting list, hardware list, ...

Mobile time recording of different resources

Live 3D preview of your design

\* Only available as SaaS



### EOS ENTERPRISE HIGHLIGHTS

Including all functions of EOS Professional +

Automated drawing generation

Drawing connection of CAD+T Construction Engineer Classic/Prof.

RFID-Integration

Available as cloud or perpetual license

On-premise installation possible





**FOR TECHNICALLY ORGANIZED MEDIUM AND LARGE-SIZED COMPANIES.  
CHOOSE FROM A VARIETY OF DIFFERENT MODULES!**

## **COMMERCIAL ORDER MANAGEMENT (BASE LICENCE)**

- + CRM and project management
- + Pre calculation, offer and order management

## **TECHNICAL ORDER MANAGEMENT**

- + Data takeover from CAD+T Software
- + Variable order and master material list

## **PURCHASE MANAGEMENT**

- + Order management of stock and commission articles
- + Supplier management (email, COM-Norm, and more...)

## **STOCK MANAGEMENT**

- + Handle minimum order quantities, semi- and finished goods
- + Conversion of units from purchase to usage statistical assessment

## **OPERATIONS CONTROL**

- + Pre calculation and record of production times
- + Post calculation, statistics and more...

## **CAPACITY PLANNING**

- + Planning with precalculated times based on cost center, machine or human resources
- + Progress control of daily, weekly, monthly or yearly capacity planning





## ORDER TRACKING

- + Visual illustration of actual order progress
- + Automatic order control through completion confirmation via touchscreen, barcode

## INVOICE CONTROL

- + Project and order assignment
- + External and internal query with suppliers

---

## ADD-ON: CAD+T EOS CONNECTION

- + Usage of CAD+T Configurator Professional
- + Live pricing from suppliers and more features from CAD+T EOS
- + RFID part tracking



## CUTTING OPTIMISATION

- + Automatic data takeover from technical order management
- + Handle of leftover and multiple optimisation processes

## INTERFACES

- + To all standard accounting systems
- + Adaptable interfaces to further systems through REST-API



# CAD+T

## CAD+T HEADQUARTER

CAD+T Solutions GmbH  
Gewerbepark 16  
4052 Ansfelden  
Austria  
T +43 7229 83100 0  
E [office@cadt-solutions.com](mailto:office@cadt-solutions.com)  
W [www.cadt-solutions.com](http://www.cadt-solutions.com)

## CAD+T WORLDWIDE

Germany, Italy, Switzerland,  
United Arab Emirates,  
South Africa, India, Australia

Follow us on



## OUR CERTIFICATES



## OUR PARTNERS

 **AUTODESK**  
Product Specific Reseller (PSR)

